

HighBand® 25

TrueNet® Category 6 Solutions



The highest performing cross-connect system in the world.
A unique high-density solution with superior cable management.

ADC KRONE's HighBand® 25 cross connect solution allows for maximum network throughput beyond one Gigabit and is the platform needed for the most advanced networks.

The HighBand 25 solution is comprised of high performance disconnection modules, user friendly cable management and innovative anti-snag patch cords. It is the ideal cabling solution for companies requiring efficiency, guaranteed performance and appealing aesthetics.

Modules can be either patched or jumpered and used in a Patch-by-Exception structured cabling solution. Patch-by-Exception (PBE) solutions offer material, installation and operational cost savings over the traditional RJ45 products. In all newly installed PBE systems there are no patch cords or jumper cables visible to the front. The system is totally hard wired from network equipment to work area, providing a secure, reliable, high performance infrastructure from switch to work area, or PABX to telephone.

HighBand 25 utilises the silver plated, world renowned LSA-PLUS® contact principle. This technology has become the industry standard in over 140 countries. The gas-tight contacts ensure a reliable and long lasting connection. The frequent moves, adds and changes that occur in today's cabling systems can quickly degrade the quality of wire termination. ADC KRONE products maintain superior connectivity during hundreds of re-terminations and deliver the best electrical performance in the industry.

Features & Benefits

- Unrivalled maximum headroom above the Category 6 standard
- 25-pair modules for voice and data applications (first 24 for data)
- The world's only 25-pair disconnect module providing unique Patch-by-Exception functionality and improved administration
- Modules can be jumpered or patched (or both)
- A test port provides "look-both-ways" testing capability without the removal of any wires; also allows simple circuit monitoring through use of a test cord
- Integrates easily with all of ADC KRONE's solutions
- Silver plated LSA-PLUS® contacts made from superior spring copper alloy
- Upper and lower shell mouldings made from high quality PBT plastic
- Available as individual components or in complete systems, consisting of unique disconnect modules, cable managers, covers, patch cords, mounting frames and label holders



Specifications

MECHANICAL

Wire Range for solid and stranded copper conductors:	0.4mm to 0.65mm (26 to 22 AWG)*
Wire insulation diameter range (PE,PVC):	0.7mm to 1.4mm
Number of wire terminations:	≥ 200
Wire insertion force (0.5mm conductor dia):	6N
Wire pull out force, radial (0.5mm conductor dia):	≥ 5N
Wire pull out force, axial (0.5mm conductor dia):	≥ 35N
Number of patching cycles:	750

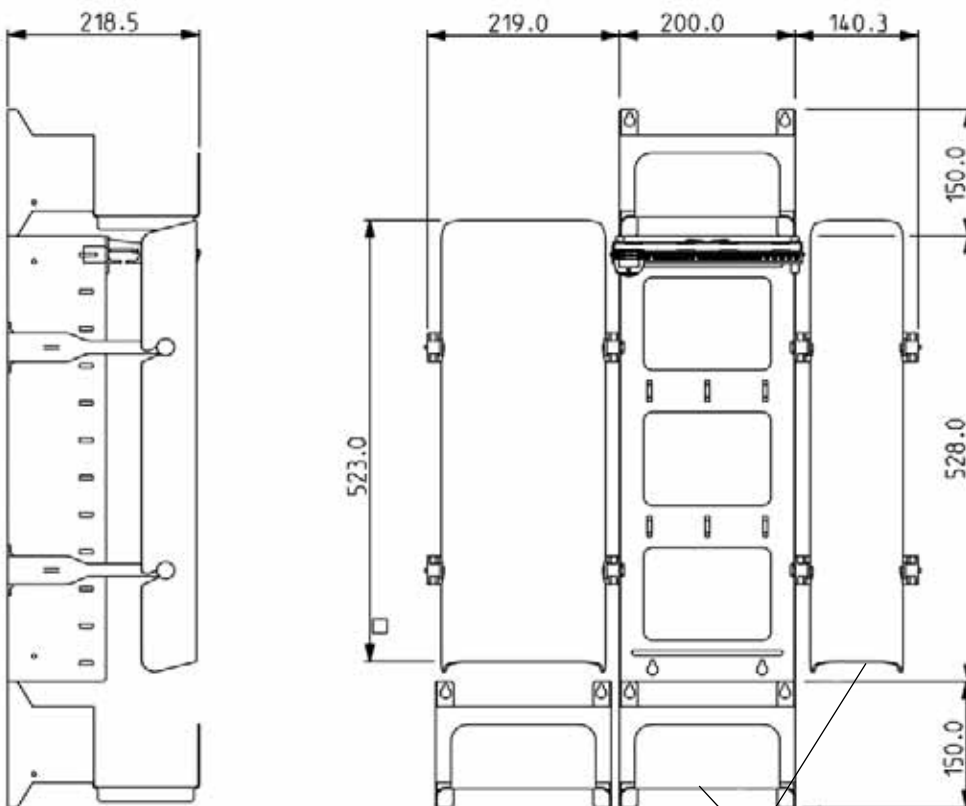
*A maximum of 2 equal diameter solid conductors only, of up to 0.5mm conductor diameter can be terminated per slot. Only 1 conductor of stranded wires per slot can be terminated. If any conductors >0.5mm diameter have been terminated, reversal to smaller conductors is no longer possible.

ELECTRICAL

Transmission, performance and reliability:	Exceeds ISO/IEC 11801 Class E AS/NZS 3080:2002 Class E TIA/EIA 568-B.2-1 Cat 6
Voltage rating:	150 VAC
Insulation resistance:	≥ 500,000 MV at 500 VDC

ENVIRONMENTAL AND SAFETY

Safety Compliance:	UL 1863 UL 94 VO
Flammability rating of plastic housing:	Indoors or in dry enclosure rated IP54 or greater
Environment for use:	IP54 or greater
Operating temperature range:	-40°C to +80°C
Maximum relative humidity:	≥ 93% non-condensing



Optional cable trough, single management & covers

Dimensions of an installed HighBand® 25 system with dual and single cable management on either side.

TrueNet® Category 6 Solutions



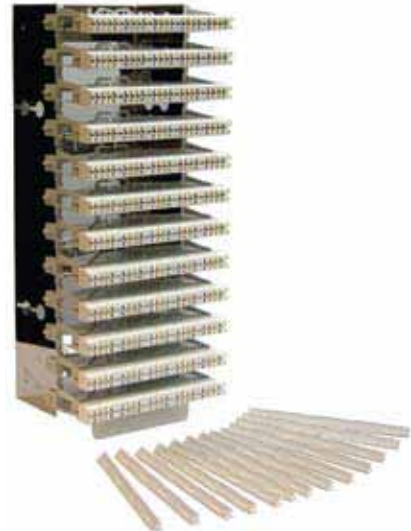
HighBand® 25 module system

Colour coded for ease of installation, the HighBand 25 module allows for termination of six, 4-pair (Category 6) UTP cables. HighBand 25 is the highest performing module in the world with transmission performance headroom far exceeding local and international standards.

The rear cable manager provides cable management for incoming cables and makes installation easier. Incoming cables are held in place by built-in clips that direct the cable to the point of termination. Each cable is secured firmly, preventing the need for additional cable or Velcro ties.

The label holder clips into position in three locations, providing a secure fit and allows patching and jumpering to take place whilst it is fitted.

The 12-way back mount frame is made from high-grade stainless steel, providing strength and superior corrosion resistance. Extra depth has been provided to allow for Category 6 bend radius requirements. Velcro tie off points have been included to ensure tidy installation practices and ease of cable routing.



300-pair basic system



HighBand 25 Category 6 module



Full system

Ordering Information

Description	Dimensions (HxWxD)	Product No.
300-pair basic system Consists of (1) back mount frame, (12) HighBand 25 Category 6 modules and (12) label holders.	528mm x 200mm x 216mm	6450 1 101-00
900-pair basic system Consists of (3) back mount frames, (36) HighBand 25 Category 6 modules and (36) label holders.	1581mm x 200mm x 216mm	6450 1 102-00
HighBand 25 Category 6 module kit Consists of (12) modules, (12) label holders and (12) rear cable managers.	43mm x 216mm x 114mm	6468 5 600-00
HighBand 25 Category 3 voice module kit Consists of (12) modules, (12) label holders and (12) rear cable managers.	43mm x 216mm x 114mm	6468 5 300-00
HighBand 25 label holder kit Consists of (12) label holders, (12) paper inserts and (12) protective windows.	12mm x 216mm x 8mm	6462 2 408-00
12 way back mount frame (1)	528mm x 200mm x 111mm	6450 2 155-00

Cable management

The cable management rings control vertical cable management between frames, ensuring that cables do not interfere when adds, moves and changes occur. The dual cable manager is ideal for high density or heavily patched installations and provides a neat, clean finish to the HighBand® 25 system. The single cable manager is best suited to either the start or finish of the HighBand 25 system.

Cable troughs mounted on the top and bottom of each frame ensure superior patch cord management and correct bend radius between frames.

Ordering Information

Description	Dimensions (HxWxD)	Product No.
300-pair cable management kit Includes (2) dual cable management rings and (1) dual cover.	523mm x 219mm x 219mm	6450 1 103-00
900-pair cable management kit Includes (6) dual cable management rings and (3) dual covers.	1570mm x 219mm x 219mm	6450 1 104-00
Dual vertical cable management rings (2)		6450 2 156-02
Single cable management kit Includes (2) single cable management rings and (1) single cover.	64mm x 140mm x 210mm	6450 1 103-01
Single cable management rings (2)		6450 2 156-01
Single cover (1)	64mm x 140mm x 210mm	6450 2 158-01
Cable trough (1)	150mm x 200mm x 219mm	6450 2 157-00



300-pair cable management kit



Dual Cover



Single Cover



Single cable management rings



Dual vertical cable management rings

TrueNet® Category 6 Solutions



19" rack installations

HighBand® 25 can also be used as a traditional cross connect inside a 19" rack. The recessed frame ensures that the modules sit flush with the front of the rack and other 19" equipment that may already be in place within the rack.



HighBand® 25-200-pair

A rear cable manager is also available to assist when other cable management within the rack is not accessible.



Rear Cable Management Bar

Ordering Information

Description	Dimensions	Product No.
HighBand 25 100-pair kit Consists of (4) Category 6 modules, (4) label holders and (1) 19" recessed frame.	2RU	6450 1 176-00
100-pair recessed frame (1)	2RU	6450 2 176-00
HighBand 25 200-pair kit Consists of (8) Category 6 modules, (8) label holders and (1) 19" recessed frame.	3RU	6450 1 177-00
200-pair recessed frame (1)	3RU	6450 2 177-00
HighBand 25 300-pair kit Consists of (12) Category 6 modules, (12) label holder kits and (1) 19" recessed frame.	4RU	6450 1 178-00
300-pair recessed frame (1)	4RU	6450 2 178-00
Rear cable management bar		6450 1 210-00

Consolidation point

For use in horizontal cabling as a high-density consolidation point, ideal for use inside a ceiling or false floor. The modules clip directly onto the specially designed metal back mount frame. The plastic cover clips into place to protect the modules from dust and foreign particles.

Ordering Information

Description	Dimensions (HxWxD)	Product No.
Consolidation point kit Consists of (4) Category 6 modules, (4) label holders, (1) back mount frame and (1) protective cover.	220mm x 209mm x 160mm	6450 1 105-01



Consolidation Point Kit

Patch cords

HighBand® 25 patch cords are Category 6 compliant and come in a number of alternate styles to suit the various applications. Ideally suited to the 300-pair and 900-pair systems is the 4-pair rear facing patch cord. This patch cord has an innovative and patented anti-snag feature. The bottom of the connector can be slid down and connects with the PCB contacts of the patch cord. This feature greatly assists with the removal of patch cords during moves, adds and changes. It can also be used to protect the PCB contacts when the patch cords are not in use.

The 1-pair patch cord is available for patching voice circuits or can also be utilised for single pair testing.

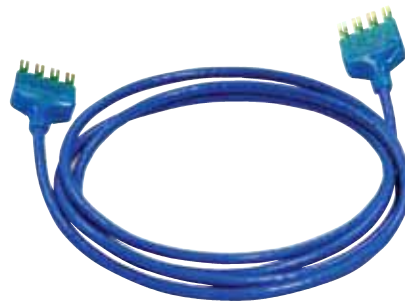
The front facing patch cords are ideal in rack mount installations or when patching is commonplace.



Rear facing 4-pair to 4-pair



1-pair to 1-pair



Front facing 4-pair to 4-pair

Ordering Information

Description	Product No.*
HighBand® 25 patch cords Quantity: 1	
4-pair to 4-pair rear facing	6451 2 7X1-YY
4-pair to RJ45 rear facing (T568A)	6451 2 7X0-YY
1-pair to 1-pair rear (Grey)	6451 2 702-YY
4-pair to 4-pair front facing (Blue)	6451 2 703-YY
4-pair to RJ45 front facing (Blue) (T568A)	6451 2 704-YY

*Replace X with:

0 = Blue 1 = Green 2 = White 3 = Yellow 4 = Red

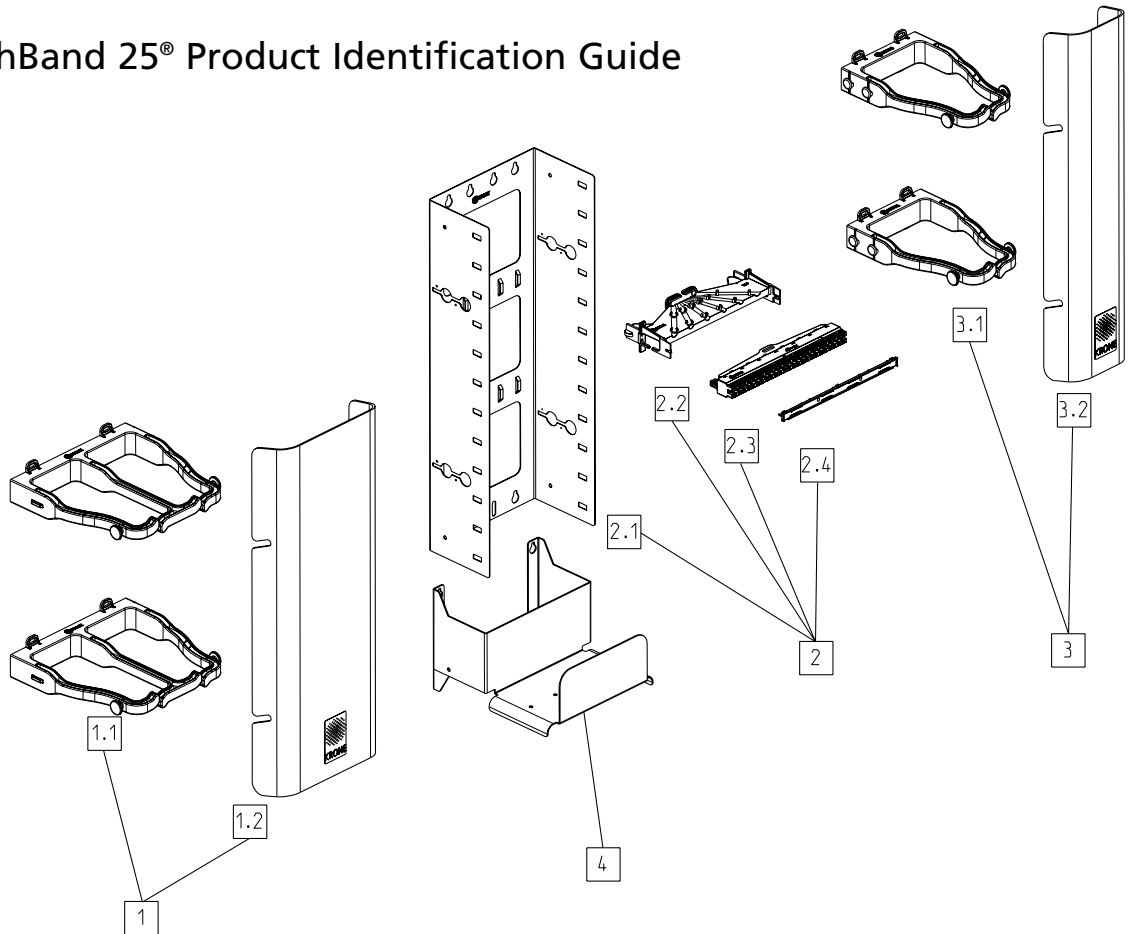
*Replace YY with:

10 = 1.2m 20 = 2.1m 30 = 3.0m 40 = 4.5m

TrueNet® Category 6 Solutions



HighBand 25® Product Identification Guide



TrueNet® Category 6 Solutions

Key

1 Dual cable management kit

- 1.1 Dual vertical cable manager (2)
- 1.2 Dual cover

2 HighBand® 25 module kit

- 2.1 12-way backmount frame
- 2.2 Rear cable manager (12)
- 2.3 HighBand 25 Category 6 module (12)
- 2.4 Label holder kit (12)

3 Single cable management kit

- 3.1 Single vertical cable manager (2)
- 3.2 Single cover

4 Cable trough

www.adckrone.com/asia

SOUTH EAST ASIA

SINGAPORE 100 Beach Road #18-01 Shaw Tower Singapore 189702
Ph: +65 6394 3800, Fax: +65 6297 5035
INDONESIA: Ph: +62 21 520 0231, Fax: +62 21 522 1312
PHILIPPINES: Ph: +63 2 4034755, Fax: +63 2 8565957
THAILAND: Ph: +662 512 3688, Fax: +662 512 4747
MALAYSIA: Ph: +603 2615 0146, Fax: +603 2615 0147
VIETNAM: Hanoi: Ph: +8443 9343 968, Fax: +8443 9343 956
HCMC: Ph: +8483 8219 225, Fax: +8383 8219 181

NORTH EAST ASIA

HONG KONG 2205-7, ING Tower, 308 Des Voeux,
Road Central, Sheung Wan, Hong Kong
Ph: +852 2865 4888, Fax: +852 2861 1444
KOREA: Ph: +822 398 5833, Fax: +822 398 5835

www.adckrone.com/jp

JAPAN: Ph: +81 3 3560 2722, Fax: +81 3 3584 1025



ADC Telecommunications, Inc., P.O. Box 1101, Minneapolis, Minnesota USA 55440-1101
Specifications published here are current as of the date of publication of this document. Because we are continuously improving our products, ADC reserves the right to change specifications without prior notice. At any time, you may verify product specifications by contacting your local ADC KRONE office. ADC Telecommunications, Inc. views its patent portfolio as an important corporate asset and vigorously enforces its patents. Products or features contained herein may be covered by one or more U.S. or foreign patents. An Equal Opportunity Employer.